

DESIGN,  
MADE AND QUALITY  
IN ITALY  
100%

Catalogue hardware for plastic

# Threaded inserts

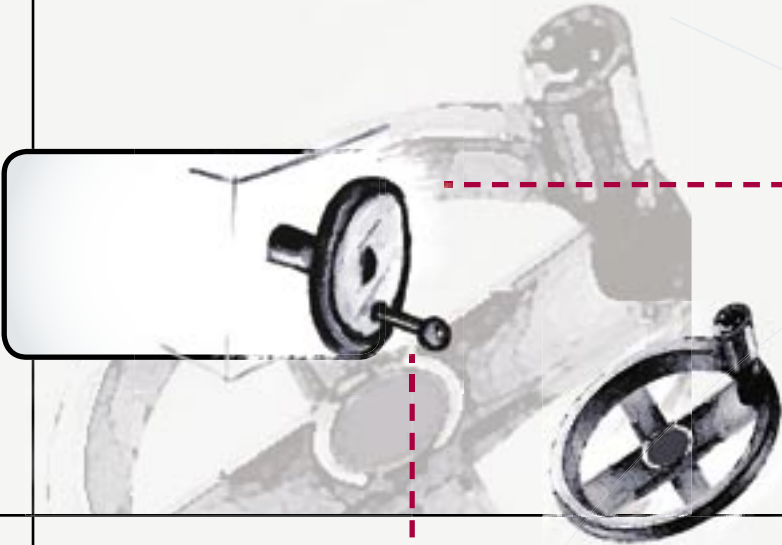
695C9



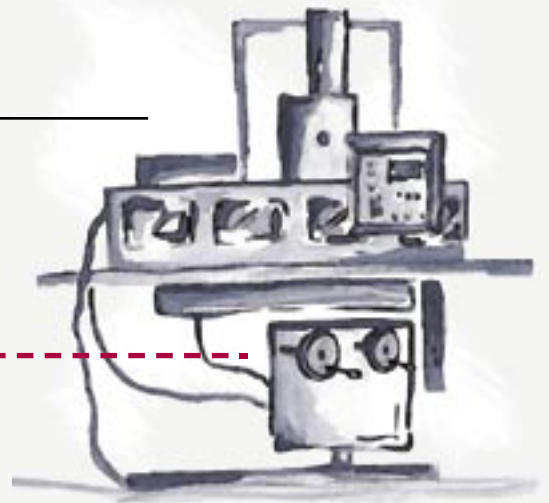
985A0



111A0



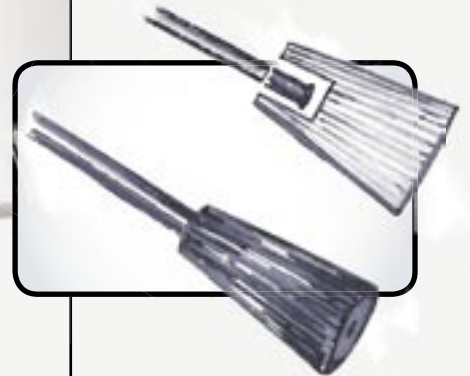
How to make use of handles mounted on a machine tool.



How to apply item 985A0.



Handle with threaded insert



695A2



695A6



695C1



# Threaded pivots

977E3



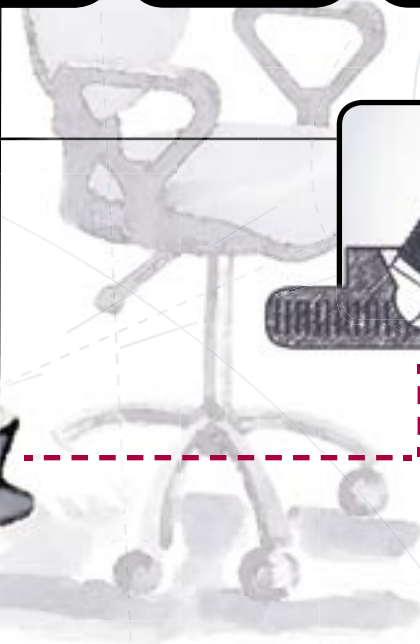
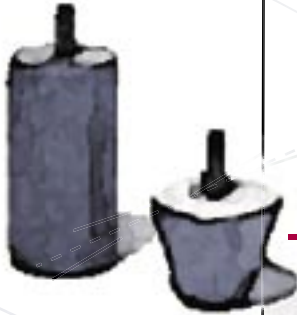
960A0



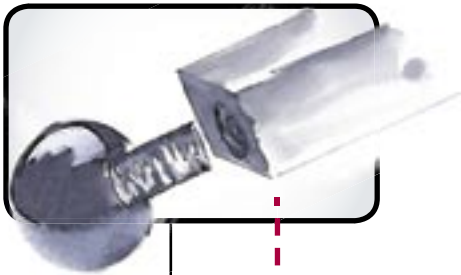
978A0



654A0



Item 654: pivot with spherical head for adjustable feet



How to make use of adjustable feet



431A0



431H1



515C1



933A0



**fm MAURI**  
**F.lli Mauri srl**

Via Barzago, 189  
23852 Garlate (LC) Italy  
Tel. +39 0341 681475  
Fax +39 0341 681483  
[www.mauri-fm.it](http://www.mauri-fm.it)  
[sales@mauri-fm.it](mailto:sales@mauri-fm.it)

**Furniture Fittings Factory**  
**Viteria speciale per mobili**

Cap. Soc. € 500.000 Int. Vers  
Iscriz. Trib.n. 3507 Reg. Soc.  
N.Centro Mecc. LC 000250  
C.C.I.A.A. Lecco N. 68980  
P.IVA IT 00204050132

